

RWD Series

Roof Mounted Centrifugal Fans



USE

- Exhaust ventilation systems installed in various premises.
- Roof mounting
- For any types of roofs or vertical ventilation shafts.
- Compatible with 150 up to 315 mm round air ducts.

DESIGN

- Steel casing with a special polymer atmospheric resistant coating.
- Horizontal air exhaust.
- The fan is rated for continuous operation.
- A connecting plate is designed to facilitate the fan mounting to the roof surface.

MOTOR

- Single-phase external rotor and centrifugal impeller with backward curved blades.
- Dynamically balanced turbine.
- Equipped with ball bearings for long service life.
- Overheating protection with built-in thermal switches with automatic restart.

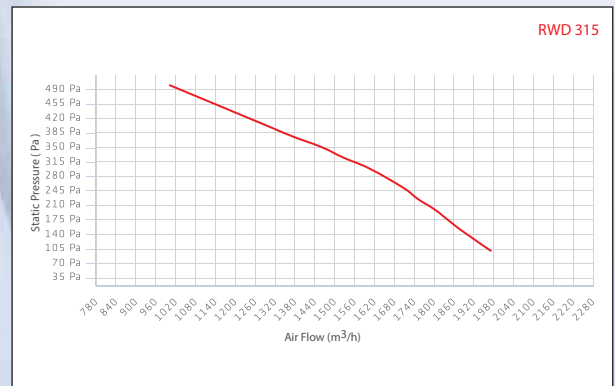
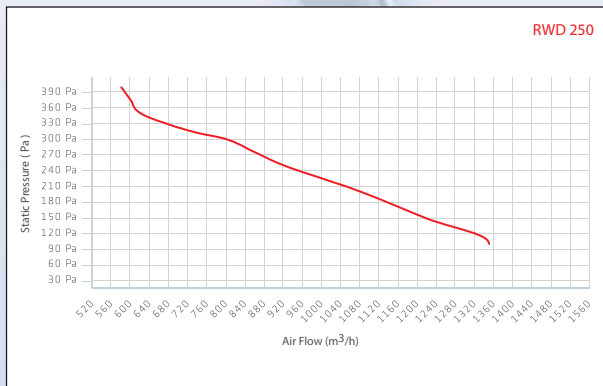
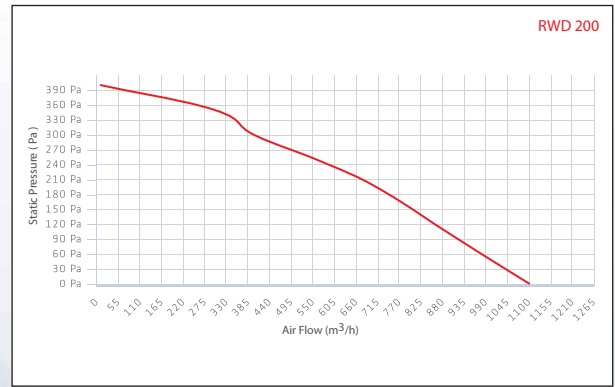
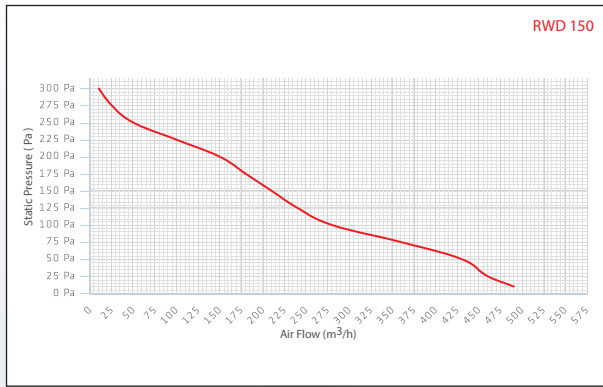
TECHNICAL SPECIFICATIONS

MODEL	MAX. AIR FLOW (m ³ /h)	WATT	SOUND (dBA)	AMPER	RPM (dk)	SPEED CONTROLLER
RWD 150	500	58	62	0,26	2330	RS-1-400
RWD 200	1100	110	72	0,52	2600	RS-1-400
RWD 250	1500	160	73	0,75	2500	RS-1-400
RWD 315	2100	190	74	0,90	2500	RS-1-400

AIR FLOW PERFORMANCE DATA

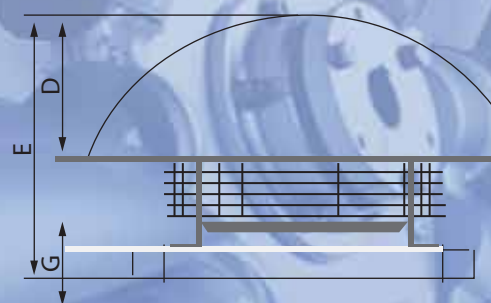
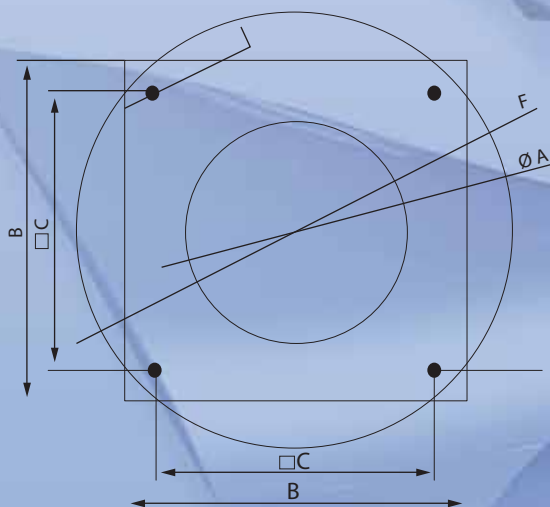
MODEL	AIR FLOW PERFORMANCE DATA / PA / (m ³ /h)						
	100	200	250	300	350	400	500
RWD150	430	280	150	-	-	-	-
RWD 200	900	700	560	400	300	-	-
RWD 250	1350	1080	920	800	620	580	-
RWD 315	1970	1800	1710	1600	1460	1300	1000

AIR FLOW PERFORMANCE DATA



DIMENSIONS

MODEL	DIMENSIONS / mm						
	A	B	C	D	E	F	G
RWD 150	290	150	320	170	340	200	350
RWD 200	300	200	325	225	350	250	460
RWD 250	400	200	425	225	450	250	460
RWD 315	400	300	425	325	450	350	600



ACCESSORIES

MODEL	TECHNICAL SPECIFICATIONS
	SPEED CONTROL
RS-1-400	Electronic, Maximum 1.8 Amper