

## RDY Series Roof Type Centrifugal Fan



### USE

- Exhaust ventilation systems installed in various premises.
- Roof mounting.
- For any types of roof or vertical ventilation shafts.

### DESIGN

- Steel casing and impeller with a special polymer atmospheric resistant coating.
- Horizontal air exhaust.
- The fan is equipped with a terminal block for connection to power mains.
- The fan is rated for continuous operation.
- Impeller with a protecting insect screen.
- The upper cover is equipped with two eye bolts for easy fan lifting on the roof with hoisting mechanism.
- A connecting plate with an intake opening is designed to facilitate mounting to the roof surface.

### MOTOR

- Two or Four pole asynchronous motor with external rotor and centrifugal impeller with backward curved blades.
- Three-phase motor modification.
- Dynamically balanced turbine.
- Equipped with ball bearings for longer service life.
- Overheating protection by built-in thermal switches with leaded outside terminals for connection to external protecting controls.
- The thermal switch terminal leads are designed for connection to respective circuit of the overload relay or respective terminals of the autotransformer or thyristor speed controller.

### MOUNTING

- Roof mounting directly above a ventilation shaft or air duct.
- The fan is connected to the air duct with the intake flange that is fixed to the fan base.
- The fan base has holes for fixing bolts that attach the fan to a stable level surface or a roof frame.
- Roof frame and intake flange available on separate order.
- Power is supplied through an external terminal box.

TECHNICAL SPECIFICATIONS

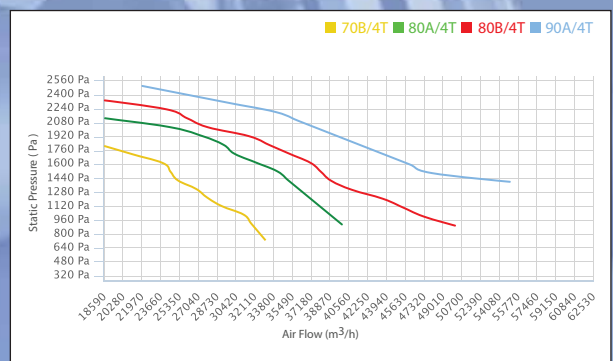
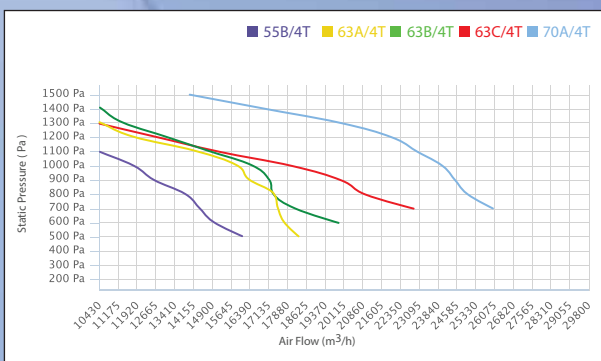
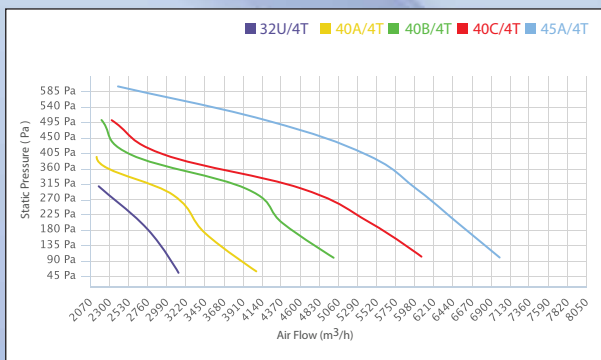
MODEL	MAX. AIR FLOW (m <sup>3</sup> /h)	WATT	PRESSURE (Pa)	DEVİR (dk)	VOLTAGE (V)
RDY 32A-4T	3000	0,55	400	1450	400
RDY 40A-4T	4000	0,75	500	1450	400
RDY 40B-4T	5000	0,75	550	1450	400
RDY 40C-4T	6000	1,10	600	1450	400
RDY 45A-4T	7000	1,10	650	1450	400
RDY 45B-4T	8000	1,50	750	1450	400
RDY 45C-4T	9000	2,20	800	1450	400
RDY 50A-4T	10000	2,20	850	1450	400
RDY 50B-4T	12000	3,00	950	1450	400
RDY 55A-4T	14000	4,00	1050	1450	400
RDY 55B-4T	16000	4,00	1100	1450	400
RDY 63A-4T	18000	5,50	1200	1450	400
RDY 63B-4T	20000	7,50	1300	1450	400
RDY 63C-4T	22000	7,50	1400	1450	400
RDY 70A-4T	26000	11,00	1600	1450	400
RDY 70B-4T	30000	15,00	1800	1450	400
RDY 80A-4T	40000	18,50	2000	1450	400
RDY 80B-4T	50000	22,00	2250	1450	400
RDY 70B-6T	20000	5,50	450	1000	400
RDY 80C-6T	30000	7,50	500	1000	400

AIR FLOW PERFORMANCE DATA

MODEL	AIR FLOW PERFORMANCE DATA / PA / (m <sup>3</sup> /h)												
	1400 d/d	100	200	300	400	500	600	700	800	900	1000	1100	1200
RDY 32A-4T	3000	2500	1700	-	-	-	-	-	-	-	-	-	-
RDY 40A-4T	4000	3200	2700	1500	-	-	-	-	-	-	-	-	-
RDY 40B-4T	5000	4300	3800	2200	1800	-	-	-	-	-	-	-	-
RDY 40C-4T	6000	5400	4600	3000	2400	-	-	-	-	-	-	-	-
RDY 45A-4T	7000	6500	6000	5400	4200	2400	-	-	-	-	-	-	-
RDY 45B-4T	-	-	8000	6700	5700	4200	2700	-	-	-	-	-	-
RDY 45C-4T	-	-	9000	8000	7300	5700	5800	3000	-	-	-	-	-
RDY 50A-4T	-	-	10000	9000	8400	7300	6000	3360	-	-	-	-	-
RDY 50B-4T	-	-	12000	11000	9600	8400	7500	6000	4000	-	-	-	-
RDY 55A-4T	-	-	14000	13700	13000	12000	11500	11000	8400	5400	-	-	-
RDY 55B-4T	-	-	-	-	16000	14000	13000	12000	9800	8400	6000	-	-
RDY 63A-4T	-	-	-	-	18000	17300	17000	16800	15600	15000	13000	10000	-
RDY 63B-4T	-	-	-	-	-	20000	18000	19000	16800	16000	14000	12000	-
RDY 63C-4T	-	-	-	-	-	-	22000	24500	19000	17000	14000	11500	-
RDY 70A-4T	-	-	-	-	-	-	26000	31000	24500	24000	23000	22000	-
RDY 70B-4T	-	-	-	-	-	-	33000	40000	31000	30000	27000	25000	-
RDY 80A-4T	-	-	-	-	-	-	-	50000	40000	39000	38000	37000	-
RDY 80B-4T	-	-	-	-	-	-	-	-	50000	47000	45000	43000	-

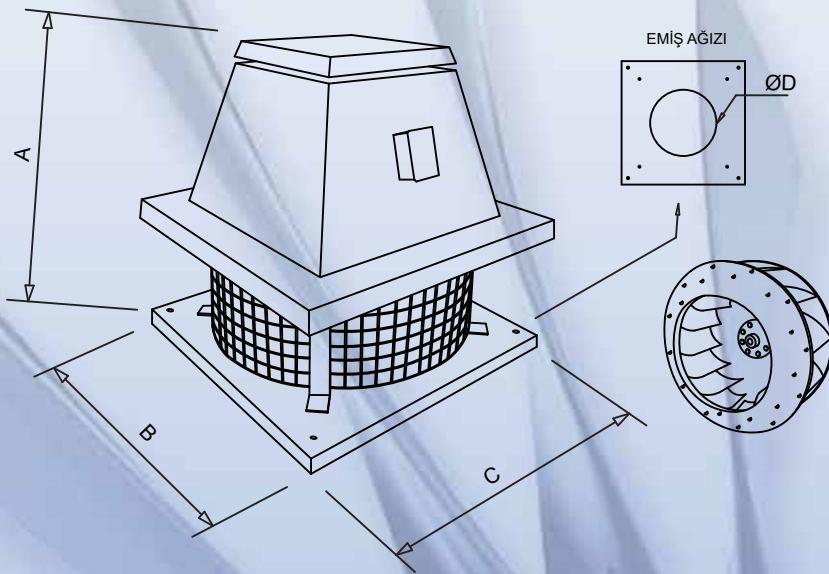
AIR FLOW PERFORMANCE DATA

MODEL	AIR FLOW PERFORMANCE DATA / PA / (m <sup>3</sup> /h)												
	1400 d/d	1300	1400	1500	1600	1700	1800	1900	2000	2100	2200	2300	2400
RDY 32A-4T	-	-	-	-	-	-	-	-	-	-	-	-	-
RDY 40A-4T	-	-	-	-	-	-	-	-	-	-	-	-	-
RDY 40B-4T	-	-	-	-	-	-	-	-	-	-	-	-	-
RDY 40C-4T	-	-	-	-	-	-	-	-	-	-	-	-	-
RDY 45A-4T	-	-	-	-	-	-	-	-	-	-	-	-	-
RDY 45B-4T	-	-	-	-	-	-	-	-	-	-	-	-	-
RDY 45C-4T	-	-	-	-	-	-	-	-	-	-	-	-	-
RDY 50A-4T	-	-	-	-	-	-	-	-	-	-	-	-	-
RDY 50B-4T	-	-	-	-	-	-	-	-	-	-	-	-	-
RDY 55A-4T	-	-	-	-	-	-	-	-	-	-	-	-	-
RDY 55B-4T	-	-	-	-	-	-	-	-	-	-	-	-	-
RDY 63A-4T	8400	-	-	-	-	-	-	-	-	-	-	-	-
RDY 63B-4T	10000	9000	-	-	-	-	-	-	-	-	-	-	-
RDY 63C-4T	9000	-	-	-	-	-	-	-	-	-	-	-	-
RDY 70A-4T	20000	17000	14000	-	-	-	-	-	-	-	-	-	-
RDY 70B-4T	24000	20000	19700	19000	15000	11000	-	-	-	-	-	-	-
RDY 80A-4T	36000	35000	34000	32000	30000	29000	27000	24000	18000	-	-	-	-
RDY 80B-4T	40000	38000	37000	36000	34000	32000	30000	26000	24000	22000	16000	-	-



## DIMENSIONS

MODEL	DIMENSIONS / mm			
	A	B	C	ØD
RDY 32	550	480	480	250
RDY 40	685	600	600	320
RDY 45	685	600	600	350
RDY 50	850	770	770	400
RDY 55	850	770	770	450
RDY 63	900	1000	1000	500
RDY 70	1155	1000	1000	650
RDY 80	1280	1100	1100	650



## ACCESSORIES

