

RDV Series Roof Type Centrifugal Fan



USE

- Exhaust ventilation systems installed in various premises.
- Roof mounting.
- For any types of roof or vertical ventilation shafts.

DESIGN

- Steel casing and impeller with a special polymer atmospheric resistant coating.
- Vertical air exhaust.
- The fan is equipped with a terminal block for connection to power mains.
- The fan is rated for continuous operation.
- Impeller with a protecting insect screen.
- The upper cover is equipped with two eye bolts for easy fan lifting on the roof with hoisting mechanism.
- A connecting plate with an intake opening is designed to facilitate mounting to the roof surface.

MOTOR

- Two or Four pole asynchronous motor with external rotor and centrifugal impeller with backward curved blades.
- Three-phase motor modification.
- Dynamically balanced turbine.
- Equipped with ball bearings for longer service life.
- Overheating protection by built-in thermal switches with leaded outside terminals for connection to external protecting controls.
- The thermal switch terminal leads are designed for connection to respective circuit of the overload relay or respective terminals of the autotransformer or thyristor speed controller.

MOUNTING

- Roof mounting directly above a ventilation shaft or air duct.
- The fan is connected to the air duct with the intake flange that is fixed to the fan base.
- The fan base has holes for fixing bolts that attach the fan to a stable level surface or a roof frame.
- Roof frame and intake flange available on separate order.
- Power is supplied through an external terminal box.

TECHNICAL SPECIFICATIONS

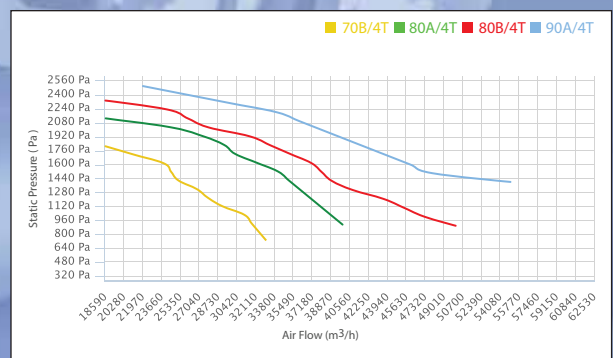
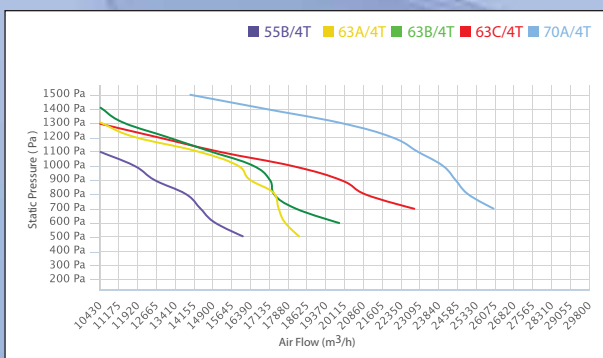
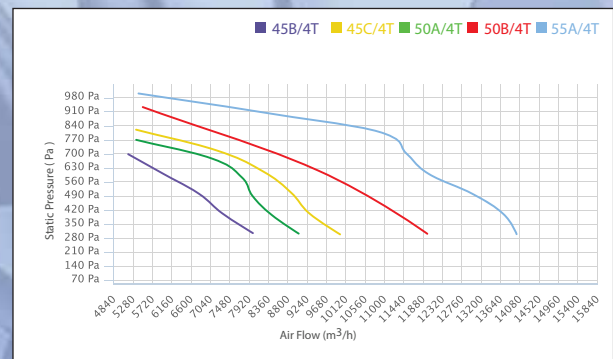
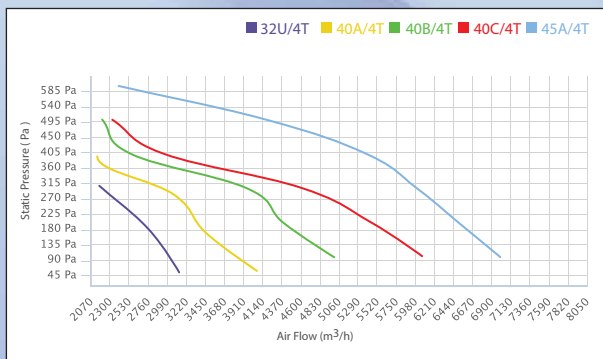
MODEL	MAX. AIR FLOW (m ³ /h)	WATT	PRESSURE (Pa)	RPM (dk)	VOLTAGE (V)
RDV 32A-4T	3000	0,55	400	1450	400
RDV 40A-4T	4000	0,75	500	1450	400
RDV 40B-4T	5000	0,75	550	1450	400
RDV 40C-4T	6000	1,10	600	1450	400
RDV 45A-4T	7000	1,10	650	1450	400
RDV 45B-4T	8000	1,50	750	1450	400
RDV 45C-4T	9000	2,20	800	1450	400
RDV 50A-4T	10000	2,20	850	1450	400
RDV 50B-4T	12000	3,00	950	1450	400
RDV 55A-4T	14000	4,00	1050	1450	400
RDV 55B-4T	16000	4,00	1100	1450	400
RDV 63A-4T	18000	5,50	1200	1450	400
RDV 63B-4T	20000	7,50	1300	1450	400
RDV 63C-4T	22000	7,50	1400	1450	400
RDV 70A-4T	26000	11,00	1600	1450	400
RDV 70B-4T	30000	15,00	1800	1450	400
RDV 80A-4T	40000	18,50	2000	1450	400
RDV 80B-4T	50000	22,00	2250	1450	400
RDV 70B-6T	20000	5,50	450	1000	400
RDV 80C-6T	30000	7,50	500	1000	400

AIR FLOW PERFORMANCE DATA

MODEL	AIR FLOW PERFORMANCE DATA / PA / (m ³ /h)												
	1400 d/d	100	200	300	400	500	600	700	800	900	1000	1100	1200
RDV 32A-4T	3000	2500	1700	-	-	-	-	-	-	-	-	-	-
RDV 40A-4T	4000	3200	2700	1500	-	-	-	-	-	-	-	-	-
RDV 40B-4T	5000	4300	3800	2200	1800	-	-	-	-	-	-	-	-
RDV 40C-4T	6000	5400	4600	3000	2400	-	-	-	-	-	-	-	-
RDV 45A-4T	7000	6500	6000	5400	4200	2400	-	-	-	-	-	-	-
RDV 45B-4T	-	-	8000	6700	5700	4200	2700	-	-	-	-	-	-
RDV 45C-4T	-	-	9000	8000	7300	5700	5800	3000	-	-	-	-	-
RDV 50A-4T	-	-	10000	9000	8400	7300	6000	3360	-	-	-	-	-
RDV 50B-4T	-	-	12000	11000	9600	8400	7500	6000	4000	-	-	-	-
RDV 55A-4T	-	-	14000	13700	13000	12000	11500	11000	8400	5400	-	-	-
RDV 55B-4T	-	-	-	-	16000	14000	13000	12000	9800	8400	6000	-	-
RDV 63A-4T	-	-	-	-	18000	17300	17000	16800	15600	15000	13000	10000	-
RDV 63B-4T	-	-	-	-	-	20000	18000	19000	16800	16000	14000	12000	-
RDV 63C-4T	-	-	-	-	-	-	22000	24500	19000	17000	14000	11500	-
RDV 70A-4T	-	-	-	-	-	-	26000	31000	24500	24000	23000	22000	-
RDV 70B-4T	-	-	-	-	-	-	33000	40000	31000	30000	27000	25000	-
RDV 80A-4T	-	-	-	-	-	-	-	50000	40000	39000	38000	37000	-
RDV 80B-4T	-	-	-	-	-	-	-	-	50000	47000	45000	43000	-

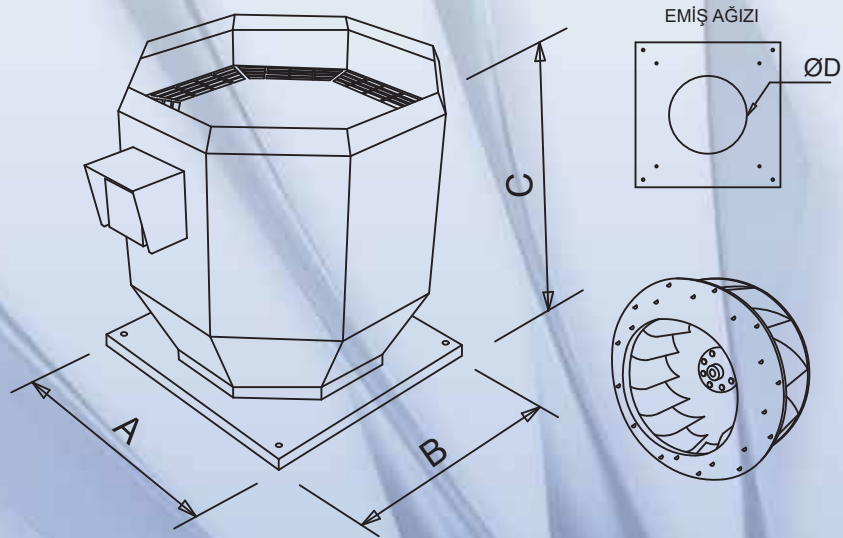
AIR FLOW PERFORMANCE DATA

MODEL	AIR FLOW PERFORMANCE DATA / PA / (m ³ /h)												
	1400 d/d	1300	1400	1500	1600	1700	1800	1900	2000	2100	2200	2300	2400
RDV 32A-4T	-	-	-	-	-	-	-	-	-	-	-	-	-
RDV 40A-4T	-	-	-	-	-	-	-	-	-	-	-	-	-
RDV 40B-4T	-	-	-	-	-	-	-	-	-	-	-	-	-
RDV 40C-4T	-	-	-	-	-	-	-	-	-	-	-	-	-
RDV 45A-4T	-	-	-	-	-	-	-	-	-	-	-	-	-
RDV 45B-4T	-	-	-	-	-	-	-	-	-	-	-	-	-
RDV 45C-4T	-	-	-	-	-	-	-	-	-	-	-	-	-
RDV 50A-4T	-	-	-	-	-	-	-	-	-	-	-	-	-
RDV 50B-4T	-	-	-	-	-	-	-	-	-	-	-	-	-
RDV 55A-4T	-	-	-	-	-	-	-	-	-	-	-	-	-
RDV 55B-4T	-	-	-	-	-	-	-	-	-	-	-	-	-
RDV 63A-4T	8400	-	-	-	-	-	-	-	-	-	-	-	-
RDV 63B-4T	10000	9000	-	-	-	-	-	-	-	-	-	-	-
RDV 63C-4T	9000	-	-	-	-	-	-	-	-	-	-	-	-
RDV 70A-4T	20000	17000	14000	-	-	-	-	-	-	-	-	-	-
RDV 70B-4T	24000	20000	19700	19000	15000	11000	-	-	-	-	-	-	-
RDV 80A-4T	36000	35000	34000	32000	30000	29000	27000	24000	18000	-	-	-	-
RDV 80B-4T	40000	38000	37000	36000	34000	32000	30000	26000	24000	22000	16000	-	-



DIMENSIONS

MODEL	DIMENSIONS / mm			
	A	B	C	ØD
RDV 32	600	600	525	250
RDV 40	700	700	600	320
RDV 45	700	700	605	350
RDV 50	790	790	705	400
RDV 55	870	870	770	450
RDV 63	1000	1000	900	500
RDV 70	1100	1100	950	650
RDV 80	1230	1230	1260	745



ACCESSORIES

