

## ARDY Series Roof Type Axial Fan



### USE

- Exhaust ventilation systems installed in various premises.
- Roof mounting.
- For any types of roof or vertical ventilation shafts.

### DESIGN

- Steel casing and impeller with a special polymer atmospheric resistant coating.
- Horizontal air exhaust.
- The fan is equipped with a terminal block for connection to power mains.
- The fan is rated for continuous operation.
- A connecting plate with an intake opening is designed to facilitate mounting to the roof surface.

### MOTOR

- Two or Four pole asynchronous motor with external rotor and axial impeller.
- Single-phase motor modification.
- Equipped with ball bearings for longer service life.
- Overheating protection by built-in thermal switches with automatic restart.

### MOUNTING

- Roof mounting directly above a ventilation shaft or air duct.
- The fan is connected to the air duct with the intake flange that is fixed to the fan base.
- The fan base has holes for fixing bolts that attach the fan to a stable level surface or a roof frame.
- Roof frame and intake flange available on separate order.
- Power is supplied through an external terminal box.

TECHNICAL SPECIFICATIONS

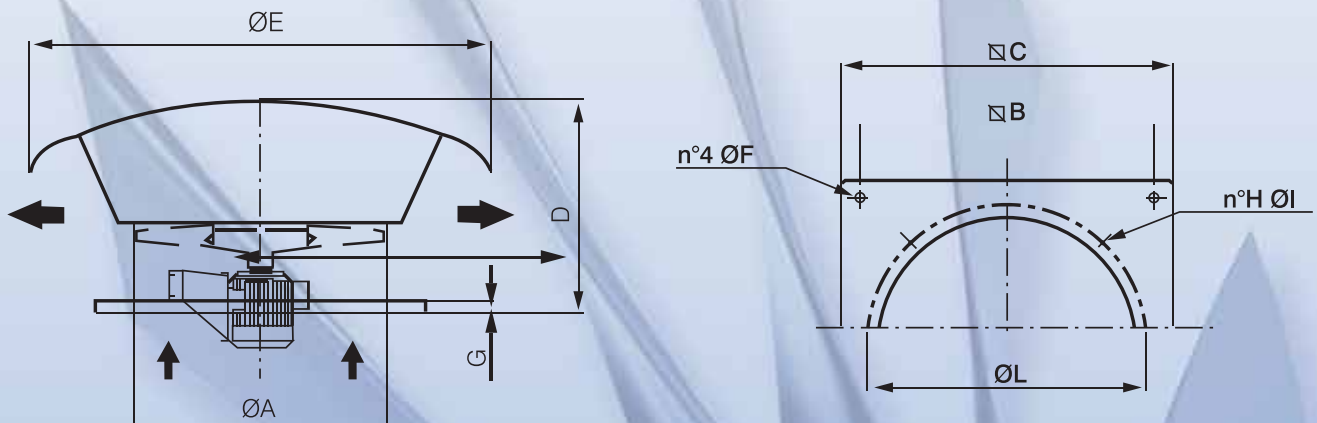
MODEL	MAX. AIR FLOW (m <sup>3</sup> /h)	WATT	SOUND (dBA)	RPM (dk)
31U/2.T	4000	0,55	85	2950
35U/2.T	5500	1,10	89	2950
40U/2.T	8000	1,50	92	2950
45U/2.T	11000	3,00	95	2950
50U/2.T	14000	4,00	96	2950
56U/2.T	17780	5,50	97	2950
63U/4.T	12500	7,50	85	1450
63U/4.T1	15500	2,20	88	1450
63U/4.T2	19500	3,00	92	1450
71U/4.T	24000	4,00	91	1450
80U/4.T	28000	5,50	92	1450
80U/4.T1	33000	7,50	96	1450
90U/4.T	29000	3,00	89	1450
90U/4.T1	40000	7,50	96	1450
100U/4.T	43000	7,50	93	1450
100U/4.T1	50000	11,00	97	1450

AIR FLOW PERFORMANCE DATA

MODEL	AIR FLOW PERFORMANCE DATA / PA / (m <sup>3</sup> /h)										
	1400 d/d	100	150	200	250	300	400	500	600	700	800
ARDY 31E/2.T	-	4000	3600	3300	3000	-	-	-	-	-	-
ARDY 35E/2.T	-	5500	5235	5000	4750	4100	-	-	-	-	-
ARDY 40E/2.T	-	-	8000	7600	7300	6550	5710	3510	-	-	-
ARDY 45E/2.T	-	-	-	11000	10400	9700	8750	7300	-	-	-
ARDY 50E/2.T	-	-	-	14000	13600	13000	11900	10550	8900	-	-
ARDY 56E/2.T	-	-	-	-	17780	16770	15680	14400	12700	10500	-
ARDY 63U/4.T	12500	12000	11500	9500	-	-	-	-	-	-	-
ARDY 63U/4.T1	15500	15000	14500	13000	-	-	-	-	-	-	-
ARDY 63U/4.T2	19500	18800	18000	16000	-	-	-	-	-	-	-
ARDY 71E/4.T	-	-	24000	19000	16000	-	-	-	-	-	-
ARDY 80E/4.T	28000	28000	26500	25000	20000	13000	-	-	-	-	-
ARDY 80E/4.T1	-	-	33000	28000	25000	20000	-	-	-	-	-
ARDY 90E/4.T	29000	29000	26000	23500	20000	16000	-	-	-	-	-
ARDY 90E/4.T1	-	-	40000	37000	34000	27500	-	-	-	-	-
ARDY 100E/4.T	43000	43000	41000	39000	37500	32000	25000	20000	-	-	-
ARDY 100E/4.T1	-	-	50000	48000	46500	42000	35600	25000	-	-	-

## DIMENSIONS

MODEL	DIMENSIONS/ mm								
	A	C	E	B	D	C	L	n°4xØF	n°HxØI
ARDY 31E	315	565	500	400	600	30	356	4 x 8	356
ARDY 35E	350	565	700	600	600	30	595	4 x 8	395
ARDY 40E	400	720	700	600	700	30	450	4 x 8	438
ARDY 45E	450	720	700	600	700	30	500	4 x 12	487
ARDY 50E	500	720	800	700	800	30	560	4 x 12	541
ARDY 56E	560	920	1000	700	800	40	620	4 x 12	605
ARDY 63E	630	920	1000	900	800	40	690	4 x 12	674
ARDY 71E	710	920	1000	900	900	40	770	4 x 14	751
ARDY 80E	800	1170	1250	1100	900	40	860	4 x 14	837
ARDY 90E	900	1170	1250	1100	900	40	970	4 x 14	934
ARDY 100E	1000	1400	1400	1200	1000	50	1070	4 x 14	1043



## ACCESSORIES



