

### AXF Series Axial Type Smoke Extract Fans



#### FAN

- Tubular sheet steel casing.
- Variable angle rotors made of cast aluminium.
- Approved in accordance with standard EN 12101-3

#### MOTOR

- Class H motors for S1 continuous operation and S2 emergency use with ball bearings. IP55 protection and 1 or 2 speeds depending on model.
- IE2 or IE3 efficiency motors depending on model except 2 speed and 8 poles.
- Three-phase 230/400V-50Hz and 400/690V-50HZ (powers higher than 3 Kw).
- Maximum temperature of air to be carried: S1 continuous operation -20°C +55°C S2 operation 300°C/2h. 400°C/2h. Also suitable for hot climates with temperatures up to 50°C. S2 operation 300°C/2h. 400°C/2h.

#### FINISH

- Anticorrosive finish of polyester resin polymerised at 190°C previously degreased with phosphate-free nanotechnological treatment.

#### ON REQUEST

- Motor-rotor air flow direction.
- Rotors 100% reversible.

TECHNICAL SPECIFICATIONS

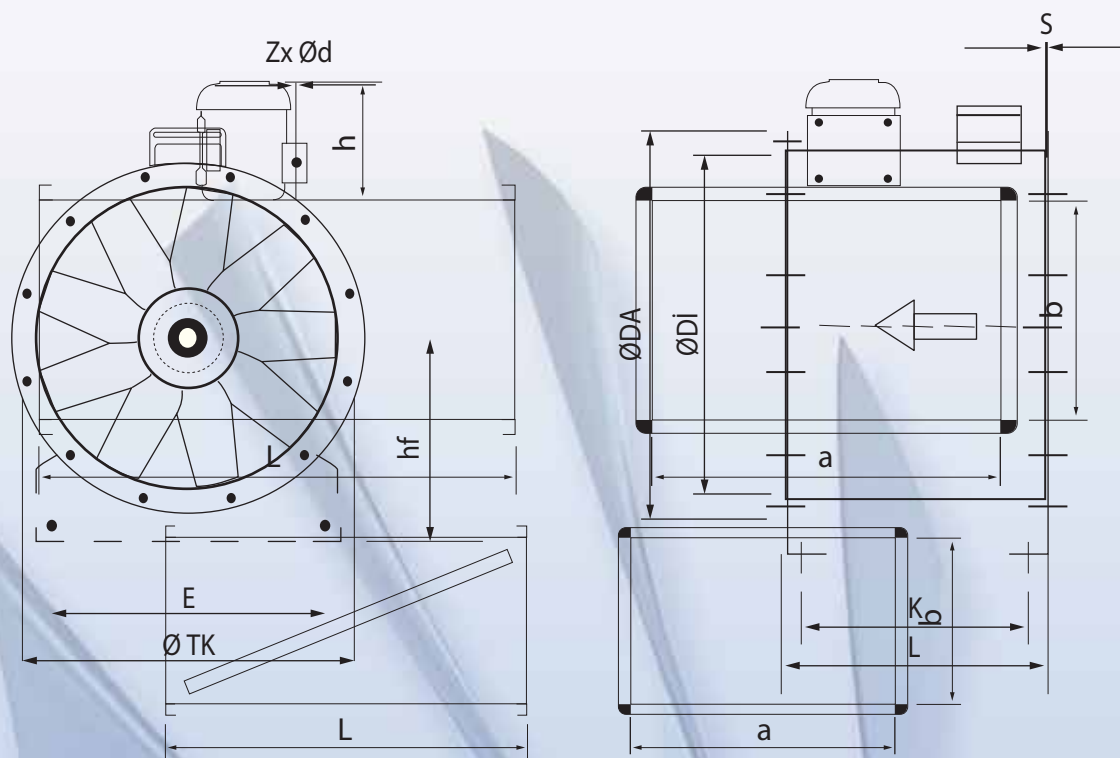
MODEL	MAX. AIR FLOW (m <sup>3</sup> /h)	WATT	SOUND (dBA)	RPM (dk)
25U/2.F...	2150	0,25	81	2950
28U/2.F...	3000	0,37	83	2950
31U/2.F...	4000	0,55	85	2950
35U/2.F...	5500	1,10	89	2950
40U/2.F...	8000	1,50	92	2950
45U/2.F...	11000	3,00	95	2950
50U/2.F...	14000	4,00	96	2950
56U/2.F...	17780	5,50	97	2950
63U/2.F...	22700	7,50	98	2950
71U/4.F...	20000	2,20	89	1450
71U/4.F...	24000	4,00	91	1450
80U/4.F...	28000	5,50	92	1450
80U/4.F...	33000	7,50	96	1450
90U/4.F...	29000	3,00	89	1450
90U/4.F...	40000	7,50	96	1450
100U/4.F...	43000	7,50	93	1450
100U/4.F...	50000	11,00	97	1450
100U/4.F...	59000	15,00	100	1450
100U/4.F...	55000	11,00	99	1450
112U/4.F...	64000	15,00	99	1450
112U/4.F...	80000	25,00	104	1450
112U/6.F...	55000	7,50	95	950
125U/4.F...	64000	11,00	94	1450
125U/4.F...	61000	15,00	95	1450
125U/4.F...	88000	30,00	101	1450
125U/4.F...	105000	37,00	105	1450

AIR FLOW PERFORMANCE DATA

MODEL	AIR FLOW PERFORMANCE DATA / PA / (m <sup>3</sup> /h)											
	100	150	200	250	300	400	500	600	700	800	900	1000
25U/2.F...	2150	2000	1700	1270	-	-	-	-	-	-	-	-
28U/2.F...	3000	2820	2500	2250	1780	-	-	-	-	-	-	-
31U/2.F...	-	4000	3600	3300	3000	-	-	-	-	-	-	-
35U/2.F...	-	5500	5235	5000	4750	4100	-	-	-	-	-	-
40U/2.F...	-	-	8000	7600	7300	6550	5710	3510	-	-	-	-
45U/2.F...	-	-	-	11000	10400	9700	8750	7300	-	-	-	-
50U/2.F...	-	-	-	14000	13600	13000	11900	10550	8900	-	-	-
56U/2.F...	-	-	-	-	17780	16770	15680	14400	12700	10500	-	-
63U/2.F...	-	-	-	-	22700	21600	20350	18900	17200	15400	-	-
71U/4.F...	20000	20000	17500	15000	13000	-	-	-	-	-	-	-
71U/4.F...	-	-	24000	19000	16000	-	-	-	-	-	-	-
80U/4.F...	28000	28000	26500	25000	20000	13000	-	-	-	-	-	-
80U/4.F...	-	-	33000	28000	25000	20000	-	-	-	-	-	-
90U/4.F...	29000	29000	26000	23500	20000	16000	-	-	-	-	-	-
90U/4.F...	-	-	40000	37000	34000	27500	-	-	-	-	-	-
100U/4.F...	43000	43000	41000	39000	37500	32000	25000	20000	-	-	-	-
100U/4.F...	-	-	50000	48000	46500	42000	35600	25000	-	-	-	-
100U/4.F...	-	-	-	-	59000	52000	45000	30000	-	-	-	-
100U/4.F...	-	-	-	55000	53000	47000	40000	-	-	-	-	-
112U/4.F...	-	-	64000	61500	59000	57000	51000	46000	40000	-	-	-
112U/4.F...	-	-	-	-	-	80000	76000	69000	60000	-	-	-
112U/6.F...	55000	55000	50000	45000	40000	-	-	-	-	-	-	-
125U/4.F...	64000	64000	62000	57000	53000	35000	-	-	-	-	-	-
125U/4.F...	61000	61000	60000	58000	56500	55000	52000	50000	45000	40000	35000	-
125U/4.F...	-	-	-	88000	85000	83000	79000	76000	71000	66000	60000	-
125U/4.F...	-	-	-	105000	105000	100000	100000	94000	90000	84000	76000	70000

DIMENSIONS

MODEL	DIMENSIONS/ mm						
	ØDi	ØTK	ØDA	ZxØd	L	S	hf
AXF 25U	252	295	332	8 x 10	500	2	176
AXF 28U	283	322	363	8 x 10	500	2	192
AXF 31U	315	356	395	8 x 10	500	2	208
AXF 35U	355	395	435	8 x 10	500	2	228
AXF 40U	400	450	480	8 x 12	500	2	270
AXF 45U	450	500	530	8 x 12	500	3	295
AXF 50U	500	560	590	12 x 12	500	3	320
AXF 56U	560	620	660	14 x 12	500	3	350
AXF 63U	630	690	730	14 x 12	500	3	385
AXF 71U	710	770	810	16 x 14	500	3	425
AXF 80U	800	860	900	16 x 14	500	3	470
AXF 90U	900	970	1000	16 x 15	500	4	550
AXF 100U	1000	1070	1100	16 x 15	500	4	600
AXF 112U	1120	1190	1220	24 x 15	750	4	760
AXF 125U	1250	1320	1370	24 x 15	750	6	725



ACCESSORIES CONNECTION DIAGRAM

