

## YKF SERIES

### Inline Type Centrifugal Fan



**USE:** Supply and exhaust ventilation systems installed in various premises. The best solution both for humid indoor premises and outside areas. Compatible with 100 up to 315 mm round air ducts.

**DESIGN:** Galvanized steel casing  
Aerodynamically shaped casing.  
External terminal block for power supply.

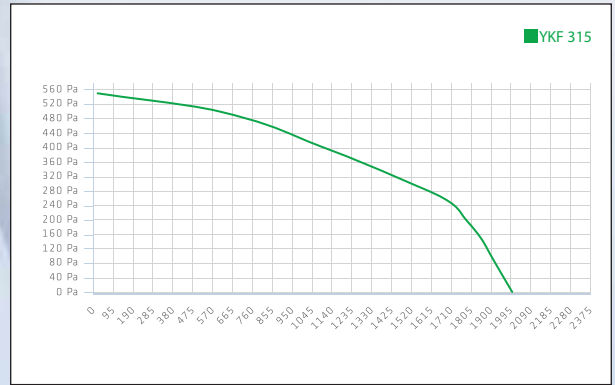
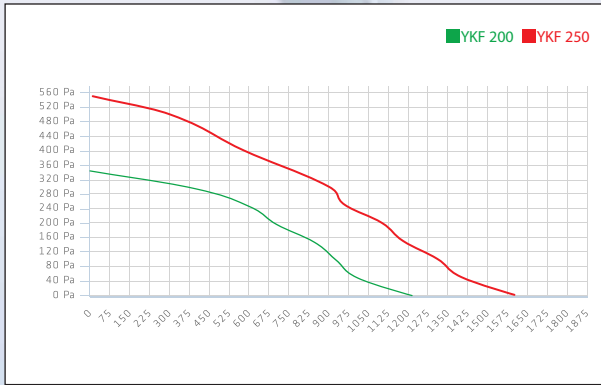
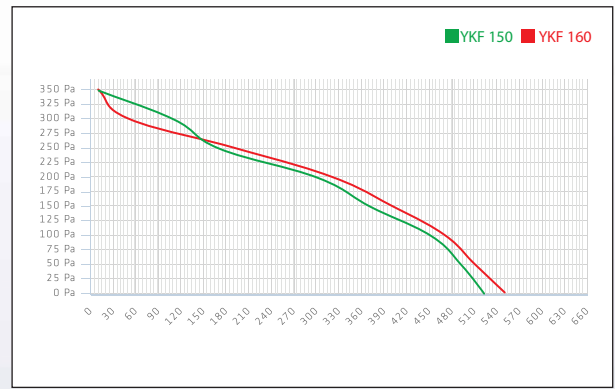
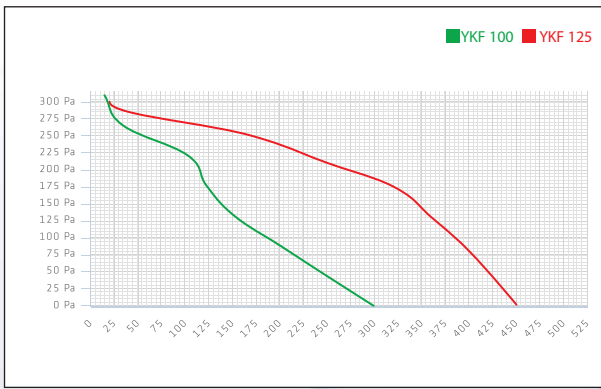
**MOTOR:** Single-phase external rotor with a centrifugal impeller with backward curved blades. Equipped with ball bearings for longer service life. Integrated thermal protection with automatic restart. Dynamically balanced turbine. For ventilation of premises with high requirements to noise level low-noise modifications are available.

#### TECHNICAL SPECIFICATIONS

| MODEL   | AIR FLOW (m <sup>3</sup> /h) | Watt | SOUND (dBA) | AMPER | RPM (dk)  | SPEED CONTROLLER |
|---------|------------------------------|------|-------------|-------|-----------|------------------|
| YKF 100 | 300                          | 33   | 27/36       | 0,21  | 2180/2385 | RS-1-400         |
| YKF 125 | 450                          | 25   | 27/32       | 0,11  | 1940/2620 | RS-1-400         |
| YKF 150 | 530                          | 37   | 28/37       | 0,27  | 2180/2385 | RS-1-400         |
| YKF 160 | 550                          | 30   | 29/34       | 0,13  | 1940/2620 | RS-1-400         |
| YKF 200 | 1200                         | 60   | 33/44       | 0,27  | 2180/2385 | RS-1-400         |
| YKF 250 | 1600                         | 108  | 45/52       | 0,48  | 1940/2620 | RS-1-400         |
| YKF 315 | 2000                         | 177  | 47/55       | 0,79  | 1940/2620 | RS-1-400         |

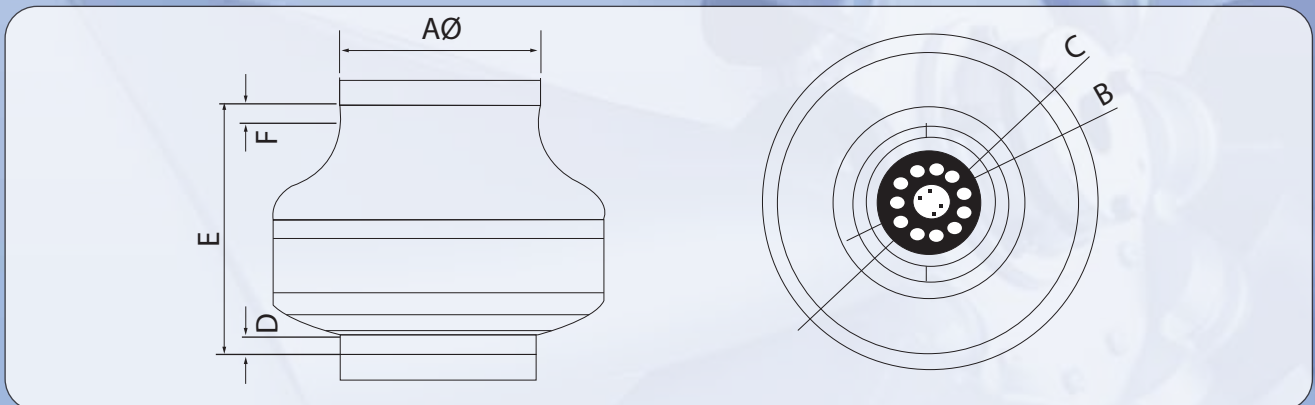
#### AIR FLOW PERFORMANCE DATA

| MODEL   | AIR FLOW PERFORMANCE DATA / PA / (m <sup>3</sup> /h) |      |      |      |      |      |      |     |
|---------|--|------|------|------|------|------|------|-----|
|         | 50   | 100  | 150  | 200  | 250  | 300  | 400  | 500 |
| YKF 100 | 250  | 200  | 150  | 120  | 100  | -    | -    | -   |
| YKF 125 | 360  | 280  | 320  | 300  | 170  | -    | -    | -   |
| YKF 150 | 500  | 460  | 380  | 310  | 180  | -    | -    | -   |
| YKF 160 | 510  | 470  | 400  | 320  | 190  | -    | -    | -   |
| YKF 200 | 1000   | 920  | 840  | 700  | 600  | 400  | -    | -   |
| YKF 250 | 1400   | 1310 | 1180 | 1100 | 960  | 900  | 580  | 300 |
| YKF 315 | 1950   | 1900 | 1850 | 1780 | 1700 | 1520 | 1100 | 600 |



DIMENSIONS

| MODEL   | DIMENSIONS / mm |     |     |    |     |    |
|---------|-----------------|-----|-----|----|-----|----|
|         | AØ              | B   | C   | D  | E   | F  |
| YKF 100 | 96              | 96  | 243 | 18 | 192 | 22 |
| YKF 125 | 120             | 120 | 243 | 19 | 189 | 18 |
| YKF 150 | 129             | 129 | 270 | 20 | 185 | 27 |
| YKF 160 | 129             | 129 | 270 | 24 | 185 | 35 |
| YKF 200 | 160             | 160 | 344 | 20 | 240 | 25 |
| YKF 250 | 175             | 175 | 344 | 22 | 245 | 25 |
| YKF 315 | 190             | 190 | 401 | 23 | 280 | 34 |



ACCESSORIES

| MODEL | SPEED CONTROLLER         |
|-------|--------------------------|
|       | TECHNICAL SPECIFICATIONS |

RS-1-400

Electronic, Maximum 1.8 Amper