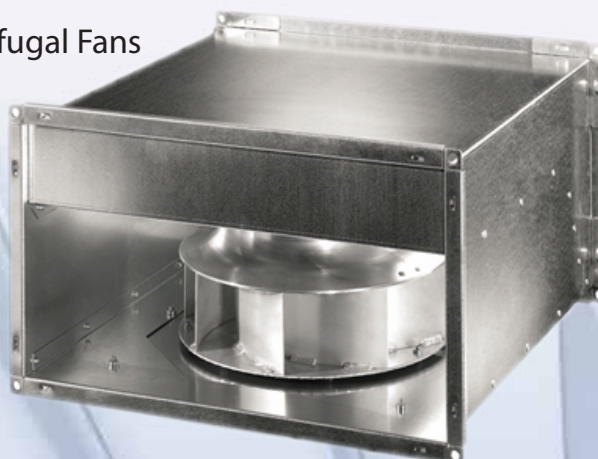


## BOX SERIES

### Rectangulars Type Centrifugal Fans



#### USE

- Supply and exhaust ventilation systems installed in various premises.
- Compatible with 290 x 150 up to 400 x 300 mm rectangular air ducts.

#### MOTOR

- Two or four pole asynchronous motor with external rotor and centrifugal impeller with backward curved blades.
- Equipped with ball bearings for longer service life.
- Dynamically balanced turbine.
- Overheating protection by built-in thermal switches with automatic restart or with leaded outside terminals for connection to external protecting controls.
- The thermal switch terminal leads are designed for connection to respective circuit of the contactor, overload relay or respective terminals of the autotransformer or thyristor speed controller.

#### MOUNTING

- The fan is designed for mounting inside rectangular air ducts and can be installed in any position.
- The fan flanges are connected to the air ducts through the bolts inserted into the flange holes.
- The fan suitable for mounting into round duct at intake flange with a round reducer (available upon separate order.)

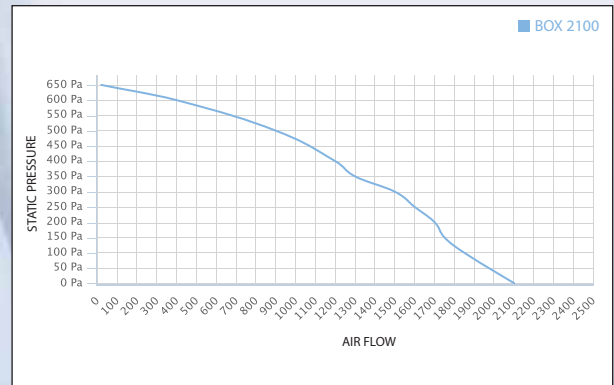
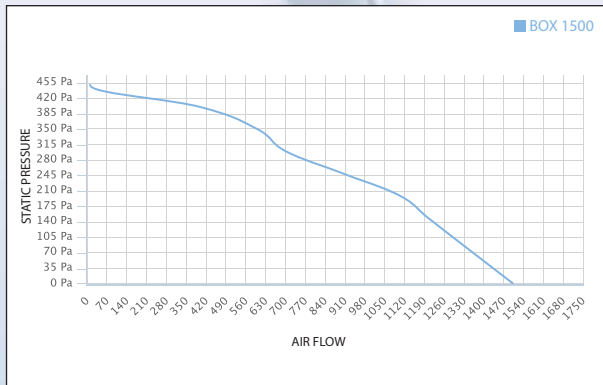
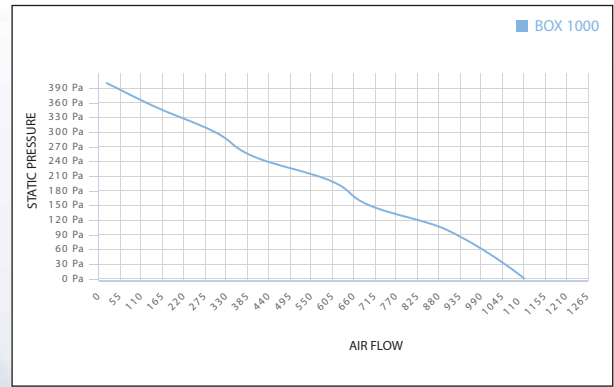
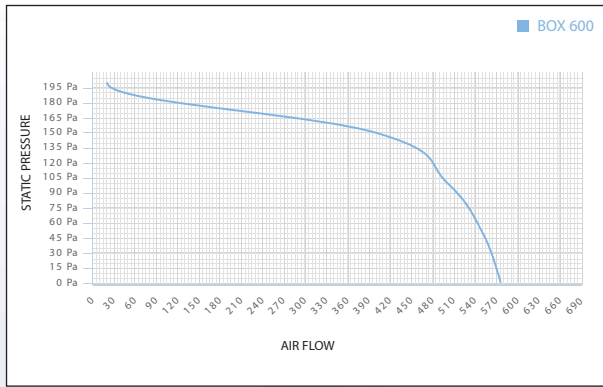
#### TECHNICAL SPECIFICATIONS

MODEL	MAX. AIR FLOW (m <sup>3</sup> /h)	Watt	SOUND (dBA)	AMPER	RPM (dk)	SPEED CONTROLLER
BOX 600	575	110	65	0,52	1250	RS-1-400
BOX 1000	1100	110	72	0,52	2600	RS-1-400
BOX 1500	1500	160	73	0,75	2500	RS-1-400
BOX 2100	2100	190	74	0,90	2500	RS-1-400

#### AIR FLOW PERFORMANCE DATA

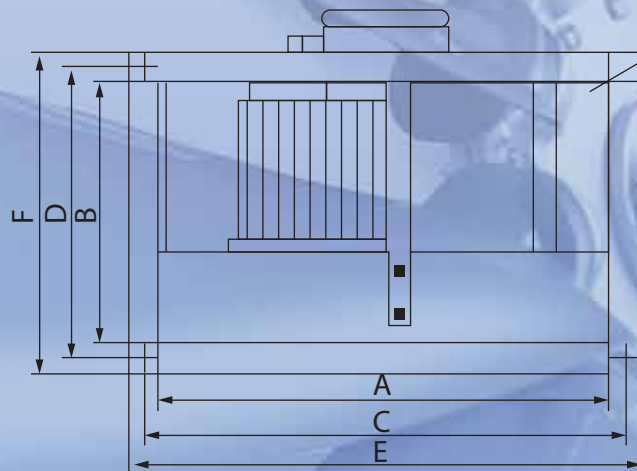
MODEL	AIR FLOW PERFORMANCE DATA / PA / (m <sup>3</sup> /h)									
	100	150	200	250	300	350	400	500	600	
BOX 600	500	400	-	-	-	-	-	-	-	
BOX 1000	900	700	600	400	300	150	-	-	-	
BOX 1500	1300	1200	1100	900	700	600	400	-	-	
BOX 2100	1850	1750	1700	1600	1500	1300	1200	900	400	

## AIR FLOW PERFORMANCE DATA



## DIMENSIONS

MODEL	DIMENSIONS / mm							
	A	B	C	D	E	F	G	ØH
BOX 600	290	150	320	170	340	200	350	10
BOX 1000	300	200	325	225	350	250	460	12.5
BOX 1500	400	200	425	225	450	250	460	12.5
BOX 2100	400	300	425	325	450	350	600	12.5



## ACCESSORIES

MODEL	SPEED CONTROLLER
RS-1-400	TECHNICAL SPECIFICATIONS

RS-1-400

Electronic, Maximum 1.8 Amper